

Han-Snap®

Page

Features	11.02
Component range	11.03
Description of parts	11.04
Latching parts without/with strain relief (Free connector)	
Latching parts with strain relief and panel mounting part (Connector for free coupling)	11.10
Panel mounting parts (Fixed connector)	11.12
Insert mounting parts with carrier element (Fixed connector on standard rail, cross direction)	11.14
Insert mounting parts (Fixed connector on standard rail, in line)	11.16
Plastic hoods	11.18
Accessories Han A®	11.20
Accessories Identification Strips	11.21

Note:

A connector mounted with Han-Snap® elements does not offer finger safe protection to the relevant standards. In this case protection against electric shock must be provided by the installation methods of the user.

- ❑ The Han-Snap® system is ideal for connectors within closed electrical operating environments.
These can be rooms, cabinets or termination boxes.

- ❑ The Han-Snap® components are an innovative design which offer the following advantages and characteristics:
 - reduction of material and assembly costs;
 - fast and easy installation;
 - preassembly of Han connectors;
 - secure and rigid mounting of Han connectors;
 - frequent use of latching systems is possible (up to several thousand cycles).

- ❑ The Han-Snap® elements are compatible with the standard inserts and terminal block connectors of the following series (named series Han B as follows)
 - Han D®, 40 and 64 pins
 - Han DD®
 - Han E®
 - Han® EE
 - Han® ES
 - Han Hv E®
 - Han® Hv ES
 - Han® HsB
 - Han® HsC
 - Han-Com®
 - Han-Modular®

- ❑ With the Han-Snap® adapter the following standard inserts are compatible (named series Han A as follows):
 - Han D®, 15 and 25 pins
 - Han A®, 10 and 16 pins

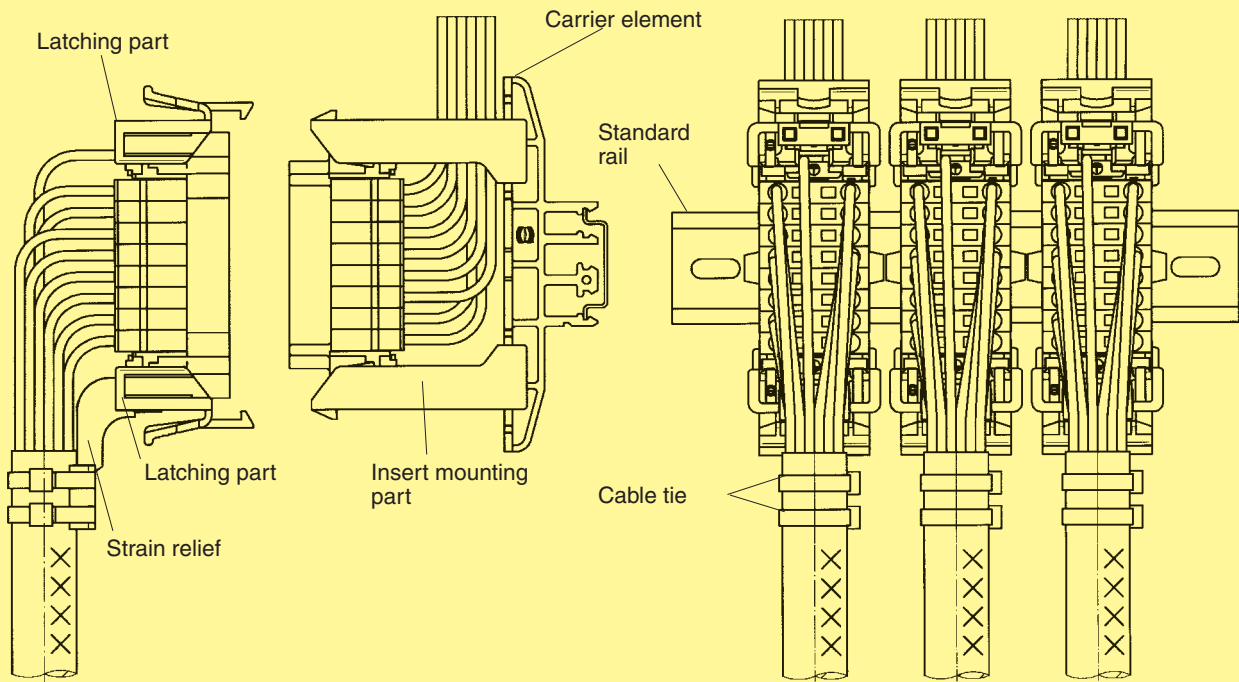
- ❑ The Han-Snap® elements are a mechanical system for the mounting assembly and security of Han connectors.
Normally the elements are assembled to the connector insert using the standard insert fixing screws.
If coding is required the standard fixing screws may be replaced by either code pins or guide pins and bushes.

- ❑ On free connectors the wires or cables can be secured to the strain relief element with standard cable ties of 5 mm width maximum.

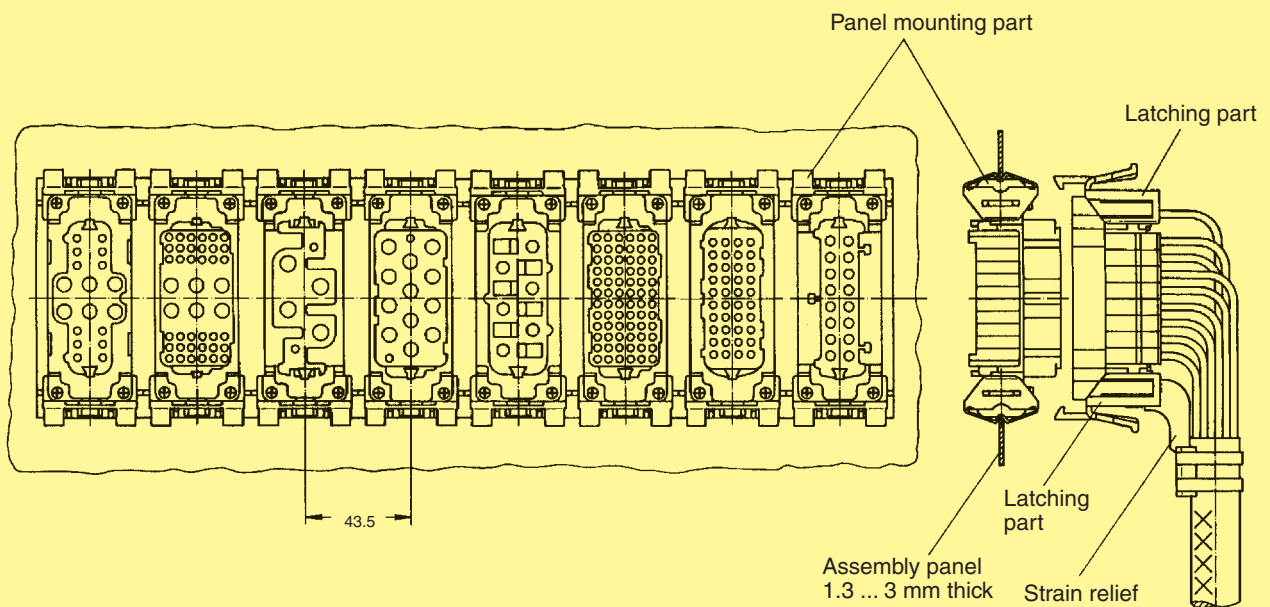
	Figure	Han-Snap® Component	Application
Top		Latching parts	For free connector.
		Latching parts with strain relief	For free connector.
		Latching part with strain relief and panel mounting part	For free coupling of male and female inserts.
		Plastic housings	For free connector.
Base		Insert mountings with carrier element	For fixing of Han connectors on standard rails, cross direction.
		Insert mountings	For fixing of Han connectors on caprail, in line.
		Rail mounting	For mating of free connector with terminal block connector, whereby terminal block connector is fixed by means of the combi-fixing element on standard rail.
		Panel mounting parts	Fixing elements for fixed connectors, standard inserts or terminal block connectors, for fixing in sheet metal panel.

Han
Snap

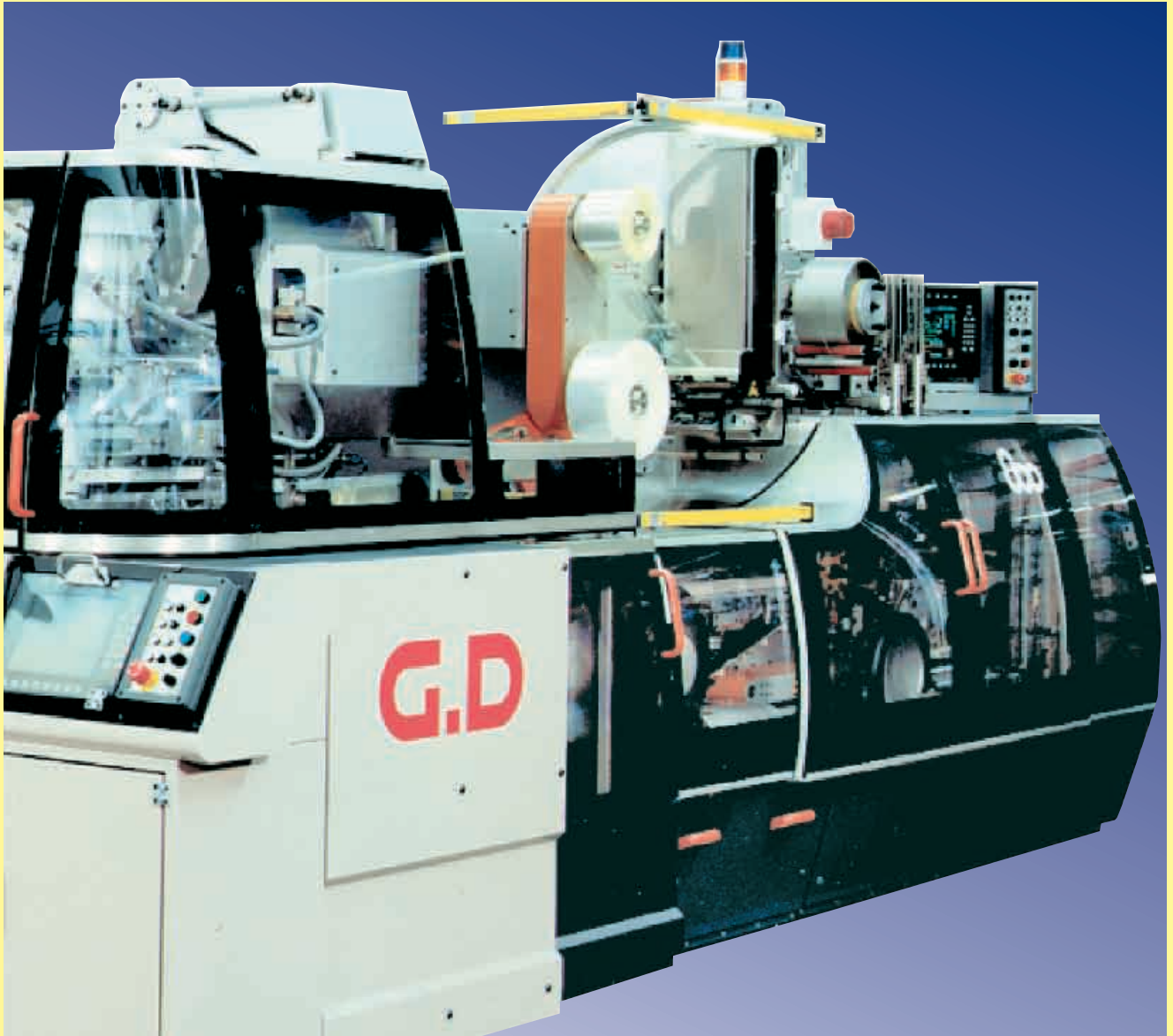
Han-Snap® on standard rail



Han-Snap® in panel cut out



Han
Snap



Cigarette packing machine C 800,
G. D. S. p. A., Bologna, Italy

Characteristics

- ❑ The accessories are suitable for all Han inserts which fit the hoods and housings of series Han B; series Han A with corresponding adapter (see page 11.20)
- ❑ Practical and easy handling
- ❑ Reduction of material and assembly costs
- ❑ Cable to cable connections realisable through combination of latching parts with strain relief and panel mounting part

Inserts can be mounted on the panel mounting part and the latching part with the standard insert mounting screws.

High mechanical security of the fixings. No functional impairment is caused by slight over tightening of the fixing screws.

Alternatively, Han coding elements (code pins or guide pins and bushes) may be used.

Please note: The strain relief element should be assembled to the latching part at the end of the insert opposite to the ground screw.

Up to 2 cable ties with max. 5 mm width can be used on the strain relief.

Label 9 x 20 mm may be fitted in both sides of each latching element.

Label 7 x 20 mm may be fitted to the top of the latching part without the strain relief element.

(more information page 11.21)

Technical Details

	without guiding system	with guiding system
Min. retention force on counter-part	200 N	300 N
Vibration resistance	IEC 60 068, part 2-6/ BN 74018	
Resistance to shock	IEC 60 068, part 2-27/ BN 74018	
Torsional moment of fixing screws/ coding elements	0.8 Nm	
Material	Thermoplastic resin, polycarbonate, RAL 7032, grey	
Flammability	V0 acc. to UL 94	
Limiting temperatures	- 40 °C / + 125 °C	
Degree of protection acc. to DIN EN 60 529 for coupled connector	IP 20	

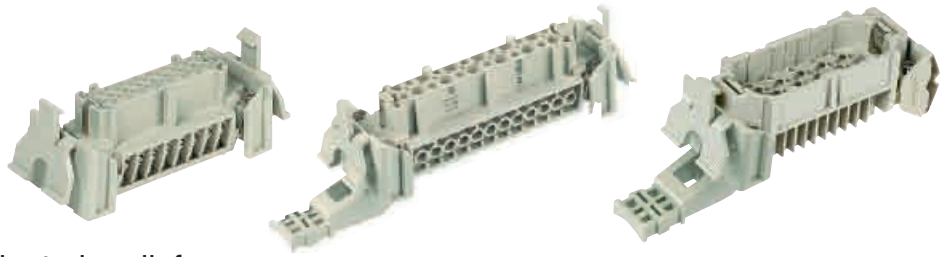
Pack Contents

Delivery comprises for one insert

09 33 000 9987 - 2 latching parts

09 33 000 9991 - 1 latching part
with strain relief
- 1 latching part

09 33 000 9990 - 1 latching part
with strain relief
- 1 panel mounting part



Latching parts without/with strain relief

Identification	Part No.	Drawing	Dimensions in mm															
<p>Latching part</p>	09 33 000 9987																	
<p>Latching part with strain relief</p>	09 33 000 9991	<table border="1"> <thead> <tr> <th>Size</th> <th>a</th> <th>b</th> </tr> </thead> <tbody> <tr> <td>6 B</td> <td>78.5</td> <td>105</td> </tr> <tr> <td>10 B</td> <td>91.5</td> <td>118</td> </tr> <tr> <td>16 B</td> <td>112</td> <td>138.5</td> </tr> <tr> <td>24 B</td> <td>138.5</td> <td>165</td> </tr> </tbody> </table>	Size	a	b	6 B	78.5	105	10 B	91.5	118	16 B	112	138.5	24 B	138.5	165	
Size	a	b																
6 B	78.5	105																
10 B	91.5	118																
16 B	112	138.5																
24 B	138.5	165																
<p>Latching part with strain relief and panel mounting part</p>	09 33 000 9990	<table border="1"> <thead> <tr> <th>Size</th> <th>c</th> <th>d</th> </tr> </thead> <tbody> <tr> <td>6 B</td> <td>75</td> <td>101</td> </tr> <tr> <td>10 B</td> <td>88</td> <td>114</td> </tr> <tr> <td>16 B</td> <td>108.5</td> <td>134.5</td> </tr> <tr> <td>24 B</td> <td>135</td> <td>161</td> </tr> </tbody> </table>	Size	c	d	6 B	75	101	10 B	88	114	16 B	108.5	134.5	24 B	135	161	
Size	c	d																
6 B	75	101																
10 B	88	114																
16 B	108.5	134.5																
24 B	135	161																

Han-Snap

Plastic Panel Mounting

Features

- ❑ Accessories are suitable for all Han inserts compatible with hoods and housings of the Han® B series and terminal blocks; Han A® series with the relevant adaptor (see also page 11.20)
- ❑ Practical and easy handling
- ❑ Possible preassembly of cables
- ❑ Snap element for sheet-metal cut out
- ❑ Reduction of material and assembly costs

Connector inserts and terminal block connectors can be fixed on elements for panel mounting with standard insert mounting screws.

High mechanical security of the fixings. No functional impairment is caused by slight over tightening of the fixing screws.

Alternatively, Han coding elements (code pins or guide pins and bushes) may be used.

Connector assembly into the panel (sheet-metal) cut out or two parallel mounted rails is possible from mating or termination side.

Technical Details

Min. retention force in sheet-metal cut out	Mating		Unmating	
	without guiding system	with guiding system	without guiding system	with guiding system
	250 N	400 N	400 N	500 N
Vibration resistance	IEC 60 068, part 2-6 / BN 74018			
Resistance to shock	IEC 60 068, part 2-27 / BN 74018			
Torsional moment of fixing screws/ coding elements	0.8 Nm			
Material	Thermoplastic resin, polycarbonate, RAL 7032, grey			
Flammability	V0 acc. to UL 94			
Limiting temperatures	- 40 °C / + 125 °C			

Pack Contents

Delivery comprises

- 2 panel plastic mounting parts sufficient for one insert or terminal block connector

Metallic Panel Mounting

Features

- ❑ Accessories are suitable for all Han inserts compatible with hoods and housings of the Han® B series and terminal blocks
- ❑ Practical and easy handling
- ❑ Possible preassembly of cables
- ❑ Screw element for sheet-metal cut out
- ❑ Reduction of material and assembly costs

Connector inserts and terminal block connectors can be fixed on elements for panel mounting with standard insert mounting screws.

High mechanical security of the fixings.

Alternatively, Han coding elements (code pins or guide pins and bushes) may be used.

Connector assembly into the panel (sheet-metal) cut out or two parallel mounted rails is possible from mating or termination side.

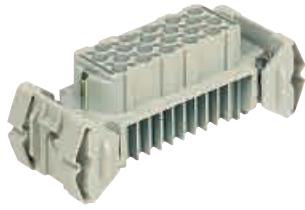
Technical Details

Min. retention force in sheet-metal cut out	Mating		Unmating	
	without guiding system	with guiding system	without guiding system	with guiding system
	250 N	400 N	400 N	500 N
Vibration resistance with relevant security fixing for the screws	IEC 60 068, part 2- 6 / BN 74018			
Resistance to shock	IEC 60 068, part 2-27 / BN 74018			
Torsional moment of fixing screws/ coding elements	0.8 Nm			
Material	Die cast zinc alloy			
Limiting temperatures	- 40 °C / + 125 °C			

Pack Contents

Delivery comprises

- 2 panel metallic mounting parts sufficient for one insert or terminal block connector



Plastic Panel Mounting

Metallic Panel Mounting

Identification

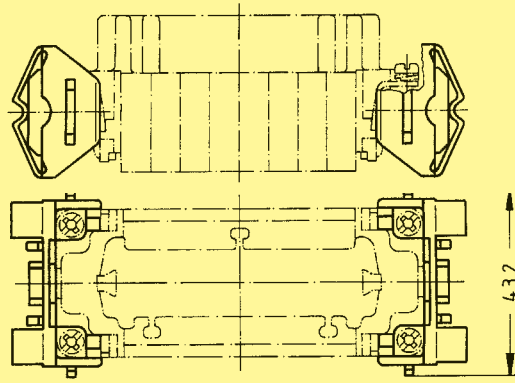
Part No.

Drawing

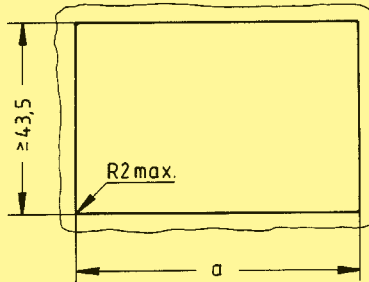
Dimensions in mm

Panel Mounting
Plastic

09 33 000 9985



Panel cut out
Sheet-metal thickness 1.3 - 3 mm



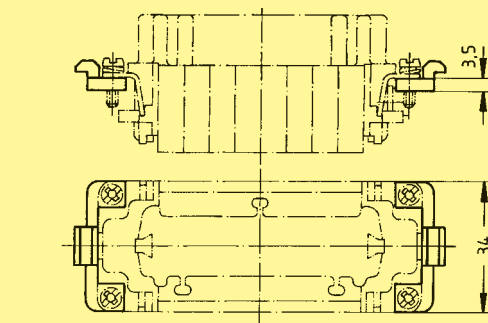
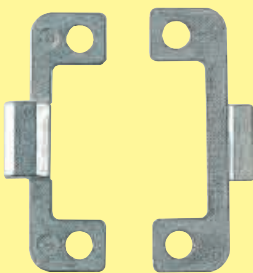
Size	a ^{+0.5}
6 B	65
10 B	78
16 B	98
24 B	125

Size	a ^{+0.5}
10 A*	81.5
16 A*	98

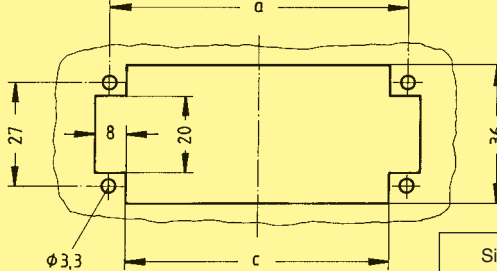
* with corresponding adapter
(see page 11.20)

Panel mounting
Metal

09 33 000 9984



Panel cut out



Size	a	c
6 B	44	36
10 B	57	49
16 B	77.5	69.5
24 B	104	96

Stock items in bold type

Characteristics

- ❑ The accessories are compatible with inserts of series Han B; series Han A with corresponding adapter (see page 11.20)
- ❑ Carrier elements offer a practical method of mounting inserts on standard rails, which are commonly used in the market
- ❑ Reduction of assembly costs

The carrier element is the basic element to mount the inserts in the cross direction on standard rails, for example:

- Caprail, 35 x 7.5 or 35 x 15 acc. to DIN EN 60715
- C-rail, C 30 acc. to DIN EN 60715
- G-rail, G 32 acc. to DIN EN 60715

Where vibration is likely to be encountered, use the 35 x 15 mounting rails. When using the large carrier element, the 35 x 15 mounting rails are recommended to give greater stability.

Insert mounting type 6/10 is suitable for inserts of sizes Han 6 B and Han 10 B.

Insert mounting type 6/24 is suitable for all insert sizes:
Han 6 B / 10 B / 16 B / 24 B,
Han 16 A with the corresponding adapter.

Inserts can be assembled to the insert mountings with the standard insert mounting screws.

High mechanical security of the fixings. No functional impairment is caused by slight over tightening of the fixing screws.

Alternatively, Han coding elements (code pins or guide pins and bushes) may be used.

The following labels may be fitted to the insert mounting parts for circuit identification purposes.

label 7 x 20 mm

or

label 9 x 20 mm

(more information page 11.21)

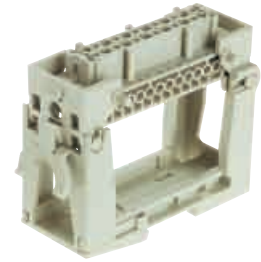
Technical Details

Min. retention force on rail	450 N
Vibration resistance on rail (Caprail 35 x 15, DIN EN 60715)	IEC 60068, part 2-6/BN 74018
Resistance to shock on rail (Caprail 35 x 15, DIN EN 60715)	IEC 60068, part 2-27/BN 74018
Torsional moment of fixing screws/coding elements	0.8 Nm
Material	Thermoplastic resin, polycarbonate, RAL 7032, grey
Flammability	V0 acc. to UL 94
Limiting temperatures	- 40 °C / + 125 °C



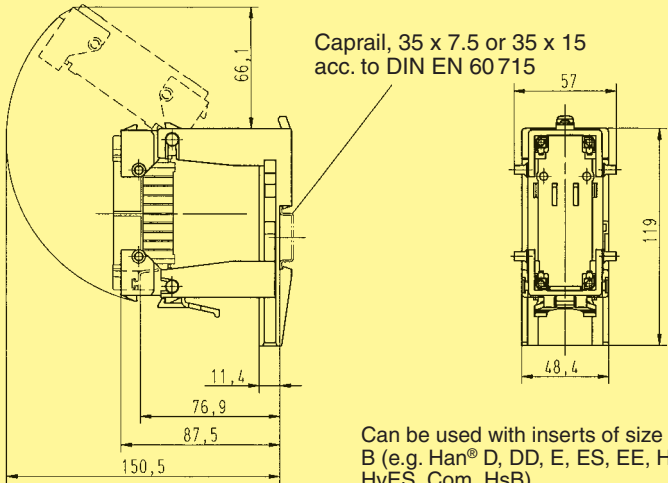

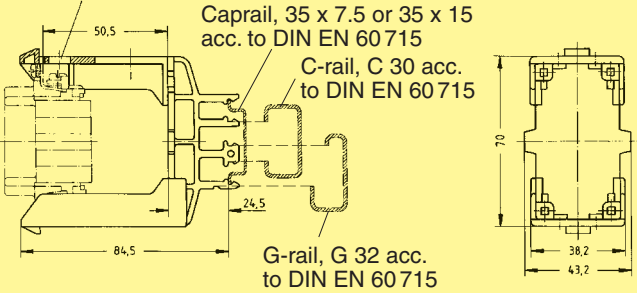

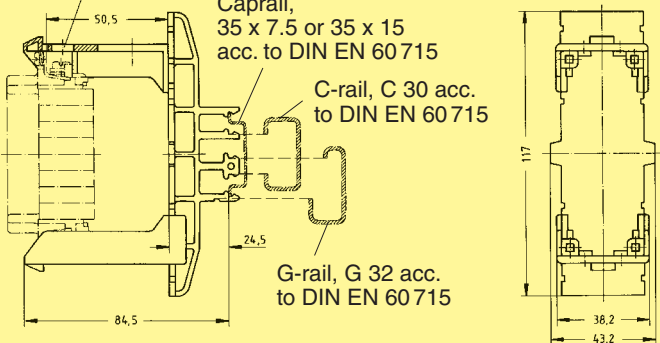
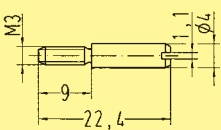
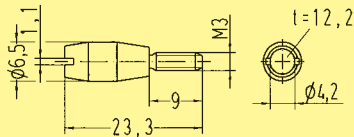
Pack Contents

Delivery comprises

- 2 insert mounting parts
- 1 carrier element



Insert mountings
with carrier element

Identification	Part No.	Drawing	Dimensions in mm
<p>Insert mounting parts, swinging</p> <p>for standard inserts</p>  <p>for Han-Modular® hinged frames</p> 	<p>09 33 000 9801</p> <p>09 33 000 9803</p>	 <p>Caprail, 35 x 7.5 or 35 x 15 acc. to DIN EN 60715</p> <p>Can be used with inserts of size Han B (e.g. Han® D, DD, E, ES, EE, HvE, HvES, Com, HsB)</p>	
<p>Insert mounting with carrier element</p> <p>Type 6/10 for size 6 B, 10 B</p> 	<p>09 33 000 9988</p>	 <p>Slot for identification strip</p> <p>Caprail, 35 x 7.5 or 35 x 15 acc. to DIN EN 60715</p> <p>C-rail, C 30 acc. to DIN EN 60715</p> <p>G-rail, G 32 acc. to DIN EN 60715</p>	
<p>Type 6/24* for size 6 B, 10 B, 16 B, 24 B</p> 	<p>09 33 000 9989</p>	 <p>Slot for identification strip</p> <p>Caprail, 35 x 7.5 or 35 x 15 acc. to DIN EN 60715</p> <p>C-rail, C 30 acc. to DIN EN 60715</p> <p>G-rail, G 32 acc. to DIN EN 60715</p>	
<p>Guide pin</p> <p>09 33 000 9956</p>		 <p>Guide pin</p>	
<p>Guide bushing</p> <p>09 33 000 9957</p>		 <p>Guide bush</p>	

Han
Snap

* Han A-size 16 by using the corresponding adapter (see page 11.20)

Characteristics

- ❑ The accessories are compatible with inserts of the series Han B; series Han A with corresponding adapter (see page 11.20)
- ❑ A practical solution to fix the inserts directly in line on standard rails 35 x 15 or 35 x 7.5
- ❑ Reduction of assembly costs

The insert mounting locks directly on standard rail 35 x 15 or 35 x 7.5 mm.

Inserts can be assembled on the insert mounting with the standard insert fixing screws.

High mechanical security of the fixings. No functional impairment is caused by slight over tightening of the fixing screws.

Alternatively, Han® coding elements (code pins or guide pins and bushes) may be used.

The following labels may be fitted alternatively to the insert mounting parts for circuit identification purposes:

label 7 x 20 mm
or
label 9 x 20 mm
(more information page 11.21)

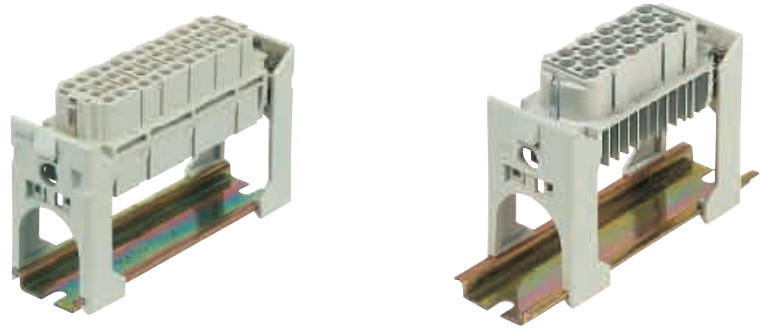
Technical Details

Min. retention force on rail	tension	300 N
	pressure	1000 N
Torsional moment of fixing screws/coding elements		0.8 Nm
Material	Thermoplastic resin, polycarbonate, RAL 7032, grey	
Flammability	V0 acc. to UL 94	
Limiting temperatures	- 40 °C / + 125 °C	

Pack Contents

Delivery comprises

- 2 insert mounting parts



Insert mountings

Identification

Part No.

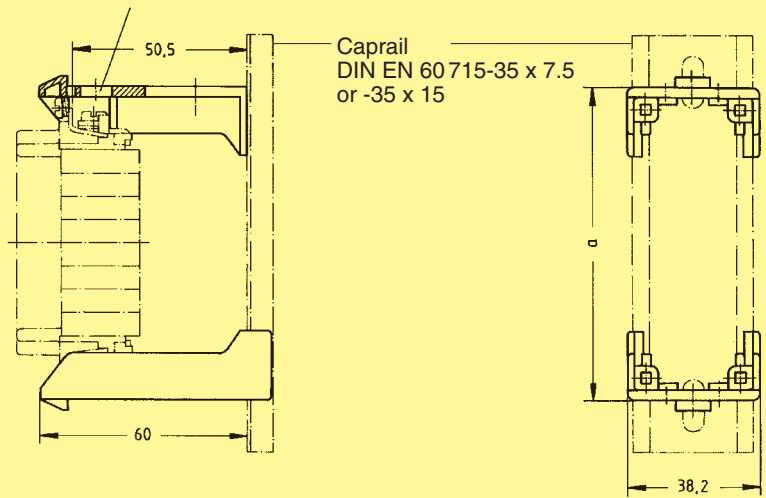
Drawing

Dimensions in mm

Insert mounting

09 33 000 9980

Slots for identification strips



Han
Snap

Size	a
6 B	57
10 B	70
16 B	90.5
24 B	117

Size	a
10 A*	74
16 A*	90.5

* with corresponding adapter (see page 11.20)

Characteristics

- ❑ Ideal for use within closed electrical operating environments
- ❑ Allows use of preassembled cables
- ❑ Thermoplastic resin, self-extinguishing with high impact resistance
- ❑ Optimised costs of material and assembly

2 identical half shells form a shell housing.

Each housing has 3 cable entries, one on top and one at each end. 2 x cable entries can be closed by enclosed blind plugs.

In the area of cable entries there are rectangular openings for mounting of cable ties up to max. 5 mm width.

In the mating area both housing shells are fixed by the standard insert fixing screws.

To release the half shells use screw driver (3.5 x 0.5), see drawing.

Alternatively, Han® coding elements (code pins or guide pins and bushings) may be used.

High mechanical security of the fixings.
No functional impairment is caused by slight over tightening of the fixing screws.

The blind plugs have slots for identification strips.
The following labels can be fitted:

label 7 x 20 mm

or

label 9 x 20 mm

(more information page 11.21)

Technical Details

Min. retention force, fixed	300 N
Vibration resistance	IEC 60 068, part 2-6/ BN 74018
Resistance to shock	IEC 60 068, part 2-27/ BN 74018
Torsional moment of fixing screws/ coding elements	0.8 Nm
Material	Thermoplastic resin, polycarbonate, RAL 7032, grey
Flammability	V0 acc. to UL 94
Limiting temperatures	- 40 °C / + 125 °C

Pack Contents

Delivery comprises

- 2 half shells with blind plugs



Plastic housings

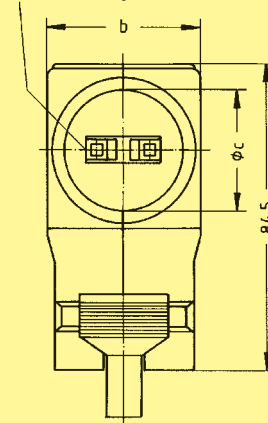
Identification Size Part No. Drawing Dimensions in mm

Plastic housings

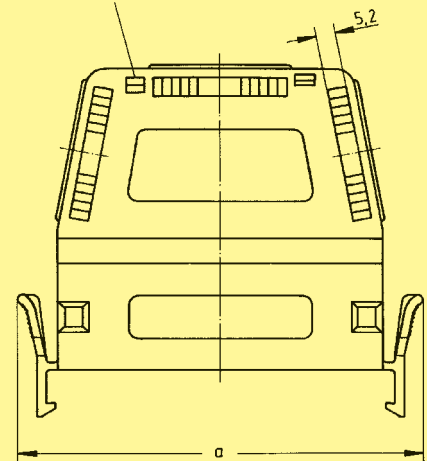


6 B	09 33 006 0401
10 B	09 33 010 0401
16 B*	09 33 016 0401
24 B	09 33 024 0401

Blind plug with slot for identification strips



Opening for release



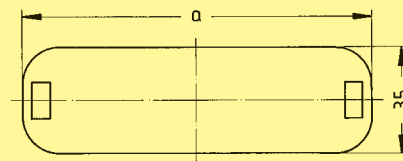
Size	a	b	c
6 B	78.5	39	24
10 B	91.5	43	30
16 B	112	43	34
24 B	138.5	43	34

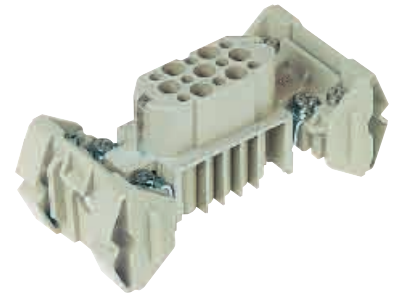
* compatible for size Han 16 A by using the corresponding adapter (see page 11.20)

Protection covers


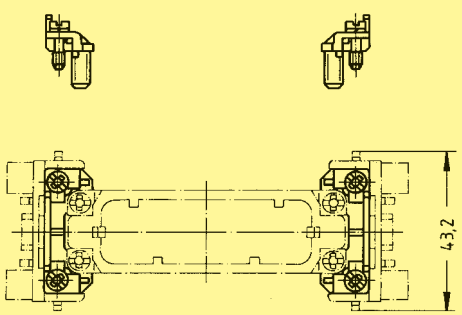
6 B	09 33 006 5401
10 B	09 33 010 5401
16 B	09 33 016 5401
24 B	09 33 024 5401

a
81.5
94.5
115
141.5





Adapter

Identification	Part No.	Drawing	Dimensions in mm
<p>Adapter</p> <p>Han A®</p> 	09 20 000 9933		43.2

Han Snap

Characteristics

- Accessories compatible for all contact inserts series Han A®, 10 and 16 pins; series Han D®, 15 and 25 pins
- Practical and easy handling
- Reduction of material and assembly costs
- Compatible with Han-Snap® elements:
 - Panel mounting parts
 - Latching parts
 - Insert mountings
 - Plastic hood size 16 for Han 25 D® and Han A® 16 poles

Inserts can be assembled to the adapters with the standard insert fixing screws.

With the included screws the adapter can be fixed to the selected Han-Snap® element.

Technical Details

Material	Thermoplastic resin, polycarbonate, RAL 7032, grey
Flammability	V0 acc. to UL 94
Torsional moment of fixing screws/ coding elements	0.8 Nm
Limiting temperatures	- 40 °C / + 125 °C

Pack Contents

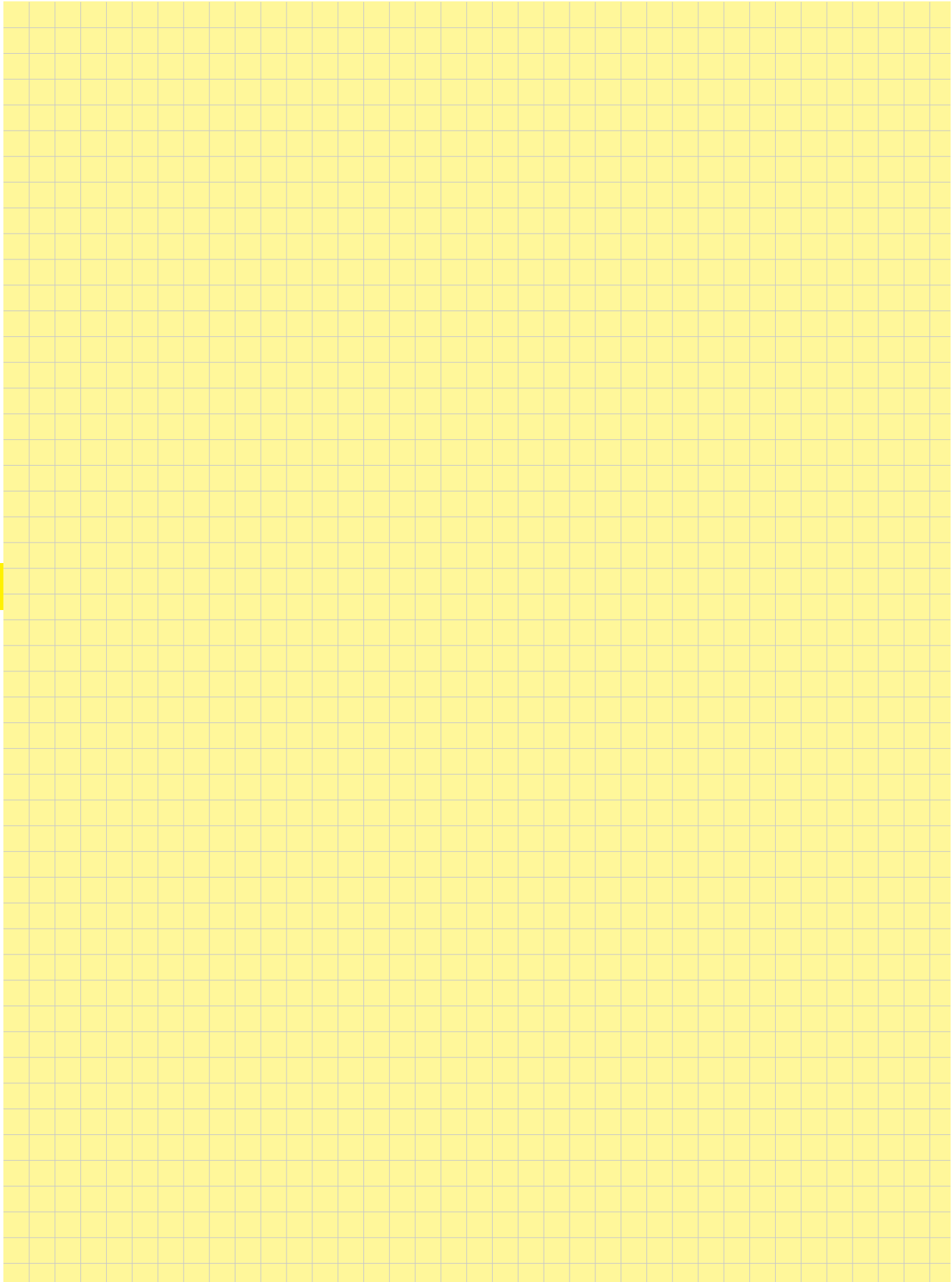
Delivery comprises

- 2 adapters
- 4 fixing screws

Identification strips

Identification	Part No.	Drawing	Dimensions in mm
<p>Identification strips single</p> <p>7 mm wide 20 mm long</p>	<p>09 33 000 9981</p>		
<p>Identification strips 20 pieces in one block</p> <p>9 mm wide 20 mm long</p>	<p>09 33 000 9982</p>		

Han
Snap



Han
Snap