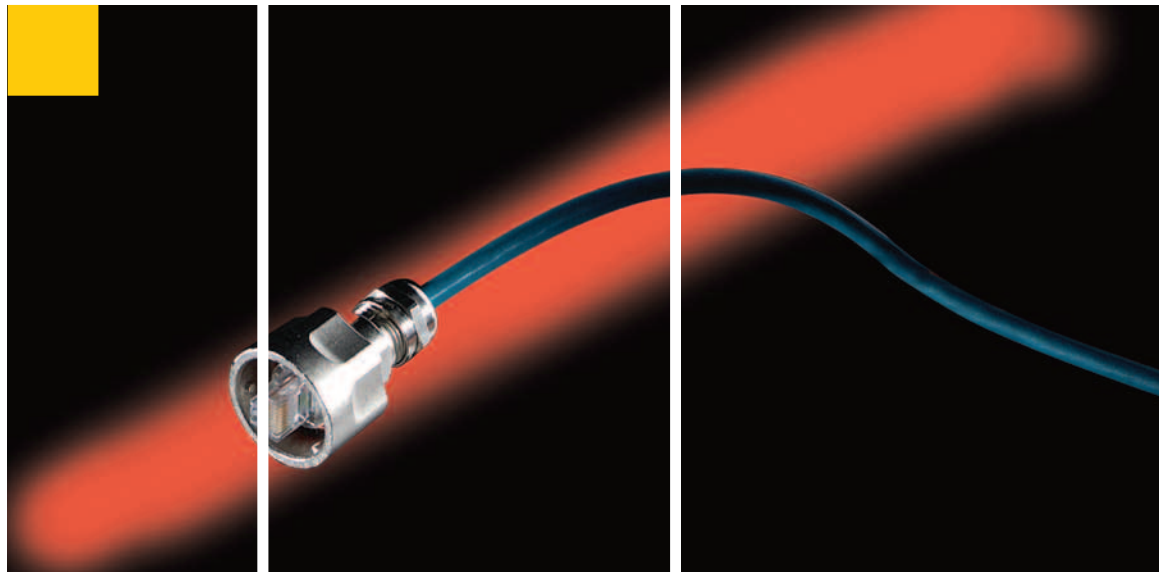


HARTING Electric



Han-Max


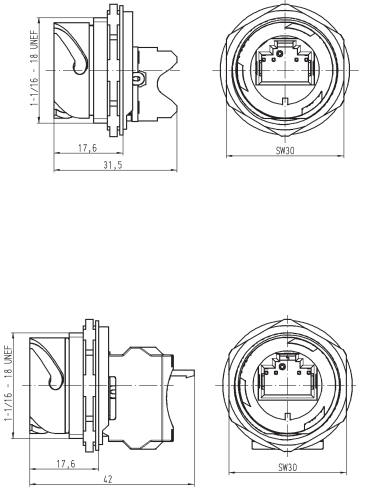
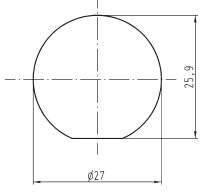

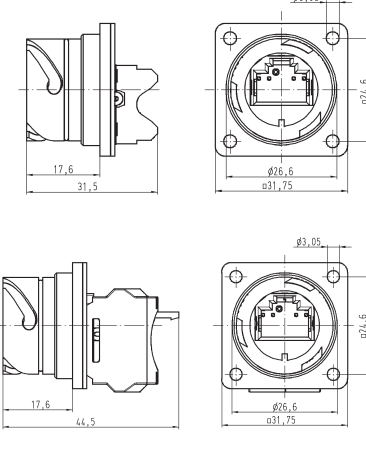
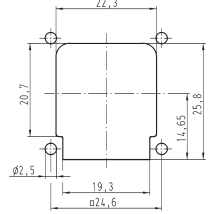

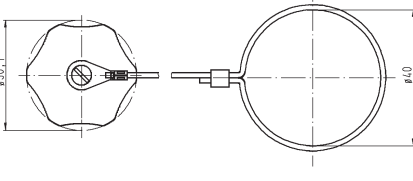
Industrial Ethernet in robust design



People | Power | Partnership






Device site

Identification	Part number	Drawing	Dimensions in mm
<p>Han-Max Panel feed through</p> <p>UTP unshielded</p>  <p>ScTP shielded</p>	<p>09 15 300 0301</p> <p>09 15 300 0302</p>		<p>Panel cut out for max. wall thickness 3 mm</p> 
<p>Han-Max MS Bulkhead mounted</p> <p>UTP unshielded</p>  <p>ScTP shielded</p>	<p>09 15 300 0311</p> <p>09 15 300 0312</p>		<p>Panel cut out for max. wall thickness 3 mm</p> 
<p>Han-Max Protection cover device site</p> 	<p>09 15 300 5411</p>		



Cable site

Identification	Part number	Drawing	Dimensions in mm
<p>Han-Max Cable site</p> <p>UTP unshielded</p> 	<p>09 15 300 0401</p>		
<p>ScTP shielded</p>	<p>09 15 300 0402</p>		
<p>Han-Max RJ Industrial Cable site</p> 	<p>09 15 300 0412</p>		
<p>Han-Max Protection cover Cable site</p> 	<p>09 15 300 5401</p>		

Technical characteristics

Style	MAX ^{® 1)} UTP	MAX ^{® 1)} ScTP	HARTING RJ Industrial [®]
Locking	Bayonet nut	Bayonet nut	Bayonet nut
Degree of protection	IP 67	IP 67	IP 67
Mating face	RJ45 acc. IEC 60 603-7	RJ45 acc. IEC 60 603-7	RJ45 acc. IEC 60 603-7
Temperature range	-25°C to +85°C	-25°C to +85°C	-40°C to +70°C
Diameter of cable jacket	4 to 8 mm	4 to 8 mm	4 to 8 mm
Wire gauge	AWG 26 - 22	AWG 26 - 22	AWG 22
Mating cycles	min. 500	min. 500	min. 500
Material for housing	Zinc die-cast nickel-plated	Zinc die-cast nickel-plated	Zinc die-cast nickel-plated
Transmission characteristics	Cat 5e	Cat 5e	Cat 5e
Number of contacts	8	8	4
Shielding	unshielded TP	shielded TP	shielded TP
Termination	Field assembling	Field assembling	Field assembling / toolless
Approval	ODVA	ODVA	PROFINet

Benefits

- Robust metal housing with bayonet nut
- Resistant against vibration and shock
- IP 67 for raw industrial environments
- Compatibel acc. Cat 5e, shielded and unshielded
- Field assembling

¹⁾ registered trademark of The Siemon Company