



Han[®] R 23

Circular
Connector



Certified acc. to DIN EN ISO 9001
in design/ development, production,
installation and servicing.



Features

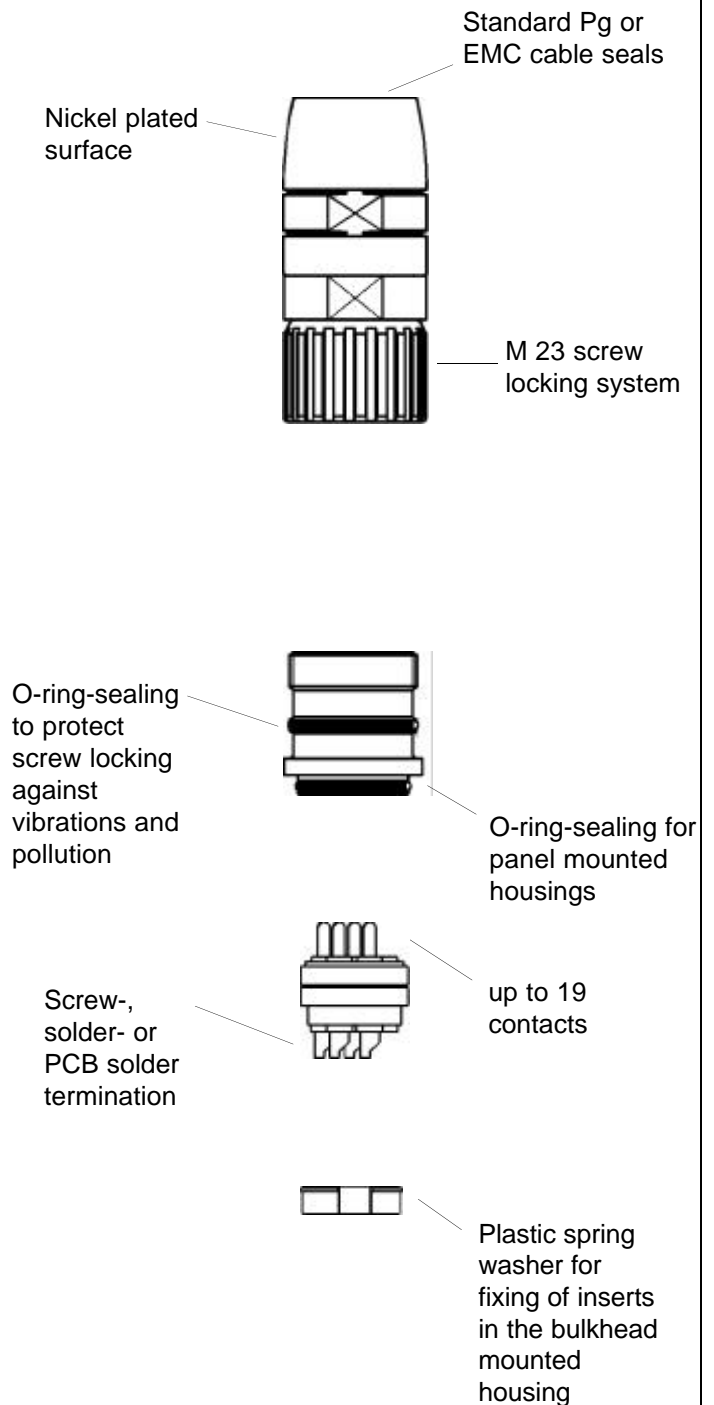
- Size R 23
- Outer diameter 26 mm
- High contact density
- Very robust hoods/housings
- Corrosion resistant
- Excellent EMC properties (with continuous shielding)
- Quick and easy assembly
- Vibration resistant screw locking system
- Up to 19 contacts, 25 V~ / 60 V-
- Ideal for applications such as measurement and automatic control.

Note

Connectors should not be coupled and decoupled under electrical load.

General Information

It is the user's responsibility to check whether the components illustrated in this catalogue comply with different regulations from those stated in special fields of application which we are unable to foresee.
 We reserve the right to modify designs in order to improve quality, keep pace with technological advancement or meet particular requirements in production.
 This catalogue must not be used in any form or manner without our prior approval in writing (Copyright Law, Fair Trading Law, Civil Code). We are bound by the German version only.





Technical Details

Specifications

DIN VDE 0627
DIN VDE 0110

Hoods/housings

Material: Copper-zinc alloy
Surface: Nickel plated
Flat sealing: NBR
O-ring-sealing: FPM (Viton)
Temperature range: - 40° C ... + 115° C
IP acc. to DIN 40050 in locked position: IP 67

Inserts

Number of contacts	6	9	12	17	19
Working current					
- power contact	15 A	1x15A			
- signal contact		8x 7A	7 A	7 A	16x 7A 3x10A
(see Derating Diagram)					
Working voltage ¹⁾	25V~ / 60V-				
Degree of pollution	3				
Test voltage U _{rms}	1.5 kV				
Insulation resistance	> 10 ¹² W				
Material	Thermoplastic polyester (PBT)				
Temperature range	- 40° C ... + 115° C				
Flammability acc. to UL 94	V 0				

Contacts

Material: Copper alloy
Surface: Gold plated
Contact resistance: < 5 mW

Screw termination

- power contact: 0.14 - 1.0 mm², AWG 26 - 16
- signal contact: 0.14 - 0.75 mm², AWG 26 - 18

Solder termination

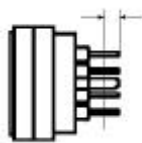
- power contact: 0.14 - 2.5 mm², AWG 26 - 14
- signal contact: 0.14 - 1.0 mm², AWG 26 - 18

Crimp termination

- D-Sub contact: see Subminiature D catalogue

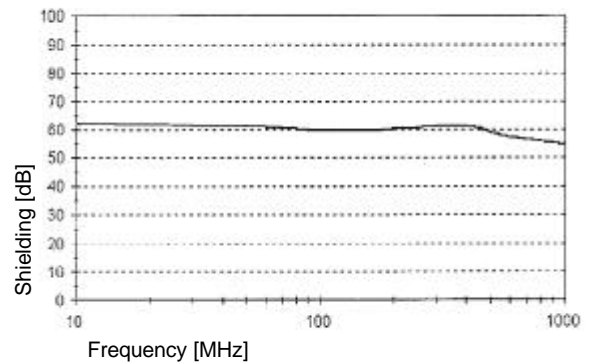
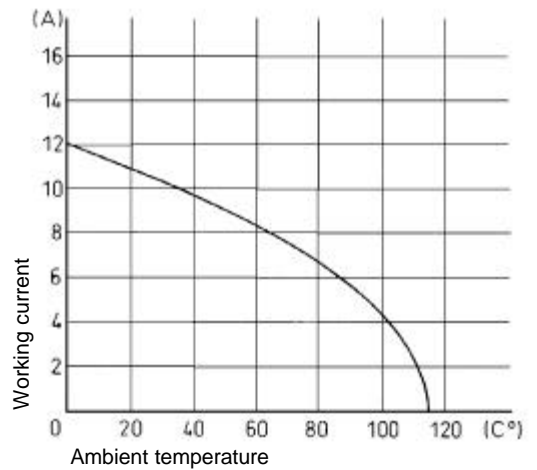
PCB solder termination

- power contact: Ø 1.5 mm
- signal contact: Ø 0.6 mm
- solder length with reference to bulkhead mounted housing: 3.5 mm




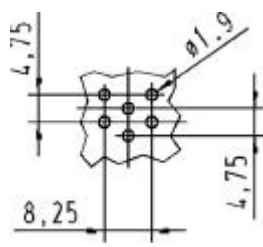

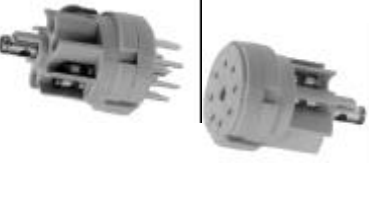

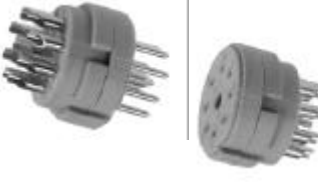
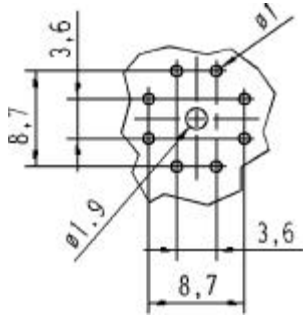



Derating Diagram

Insert: 12 positions
Wire gauge: 1 mm² (AWG 18)

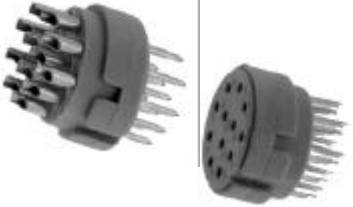

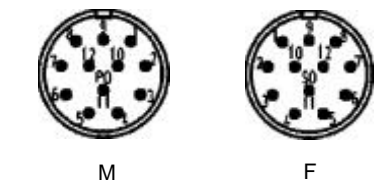
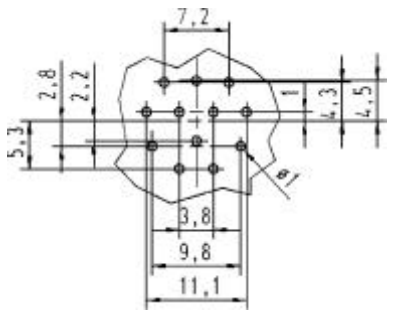


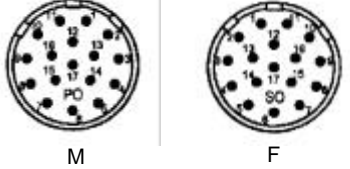
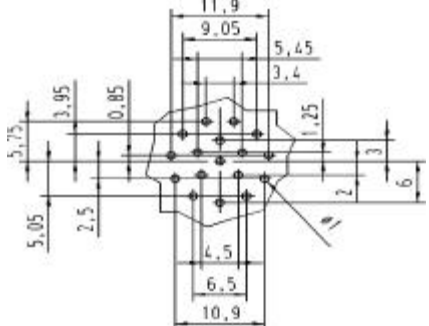

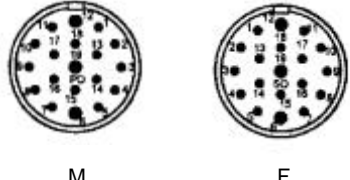



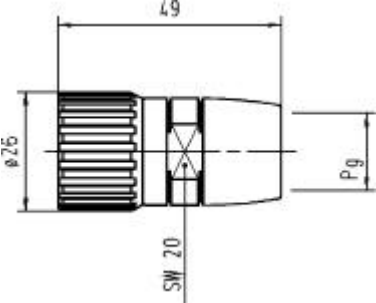

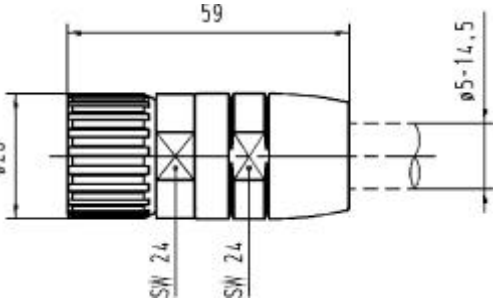

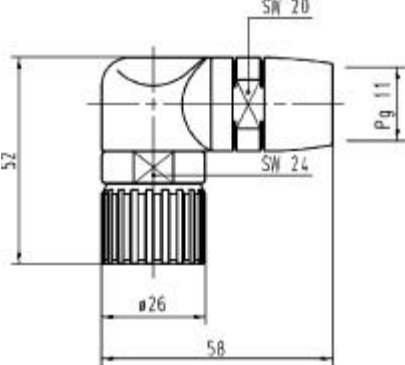

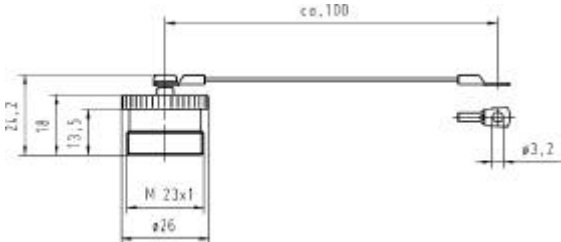
1) Acc. to DIN VDE 0627 metallic parts which may be touched by a person and may have voltages present under fault conditions, must have integral protection. Therefore this R 23 connector is limited for use up to 25V~/60V-.


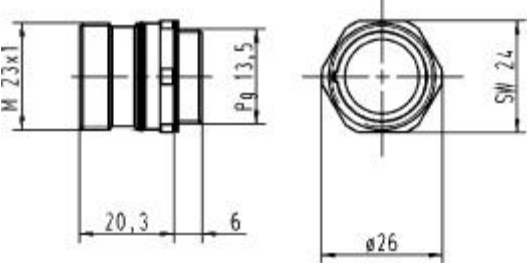

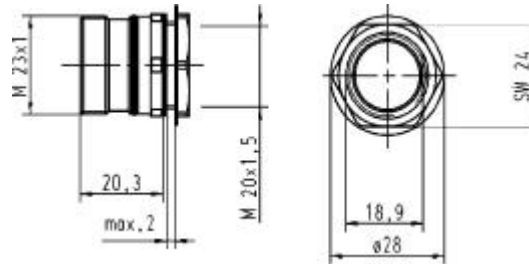

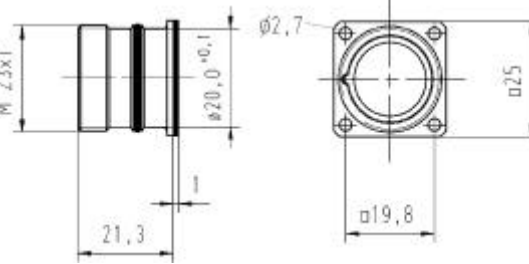

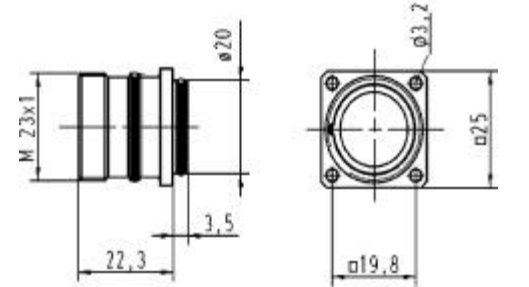

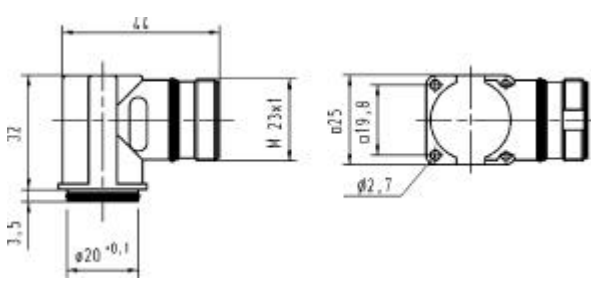
Identification	Number of contacts	Part No.		Drawing	Dimensions in mm
		Male inserts	Female inserts		
<p>Screw termination</p> 	6	09 15 206 2601	09 15 206 2701	<p>Contact arrangement view: mating side</p>  <p>M F</p>	
<p>Solder termination</p> 	6	09 15 206 2603	09 15 206 2703	<p>PCB pinhole pattern:</p> 	
<p>PCB solder termination²⁾</p> 	6	09 15 206 2604	09 15 206 2704		
<p>Screw termination</p> 	9	09 15 209 2601	09 15 209 2701	<p>Contact arrangement view: mating side (numbering in opposite direction on request)</p>  <p>M F</p>	
<p>Solder termination</p> 	9	09 15 209 2603	09 15 209 2703	<p>PCB pinhole pattern:</p> 	
<p>PCB solder termination²⁾</p> 	9	09 15 209 2604	09 15 209 2704		
		Stock items in bold type			

2) Suitable only for housings, bulkhead mounting, No.: 09 15 200 0311, 09 15 200 0313 and 09 15 200 0301

2) Suitable only for housings, bulkhead mounting, No.: 09 15 200 0311, 09 15 200 0313 and 09 15 200 0301


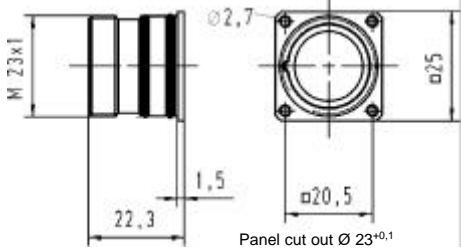

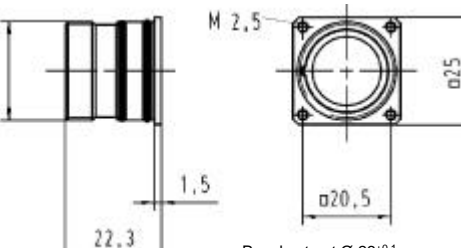

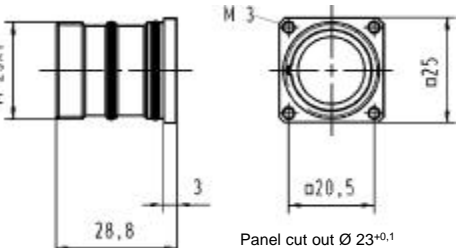

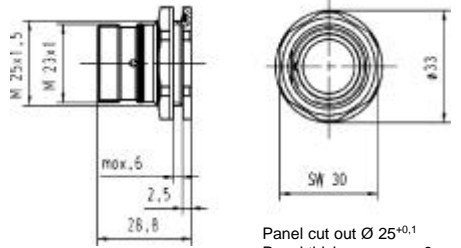

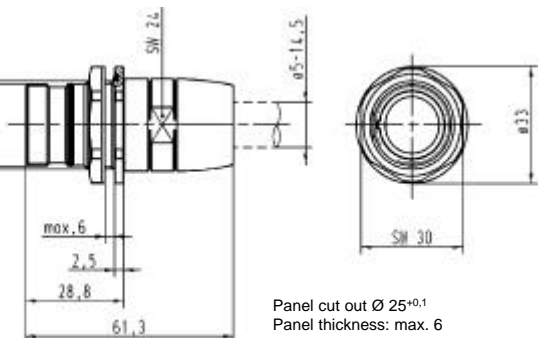
Identification	Number of contacts	Part No.		Drawing	Dimensions in mm
		Male inserts	Female inserts		
<p>Solder termination</p>  <p>Crimp termination for D-Sub contacts</p> <p>PCB solder termination²⁾</p> 	<p>12</p> <p>12</p> <p>12</p>	<p>09 15 212 2603</p> <p>09 15 212 2602</p> <p>09 15 212 2604</p>	<p>09 15 212 2703</p> <p>09 15 212 2702</p> <p>09 15 212 2704</p>	<p>Contact arrangement view: mating side (numbering in opposite direction on request)</p>  <p>PCB hole details:</p>  <p>2) Suitable only for housings, bulkhead mounting, No.: 09 15 200 0311, 09 15 200 0313 and 09 15 200 0301</p>	
<p>Solder termination</p>  <p>Crimp termination for D-Sub contacts</p> <p>PCB solder termination²⁾</p> 	<p>17</p> <p>17</p> <p>17</p>	<p>09 15 217 2603</p> <p>09 15 217 2602</p> <p>09 15 217 2604</p>	<p>09 15 217 2703</p> <p>09 15 217 2702</p> <p>09 15 217 2704</p>	<p>Contact arrangement view: mating side (numbering in opposite direction on request)</p>  <p>PCB hole details:</p>  <p>2) Suitable only for housings, bulkhead mounting, No.: 09 15 200 0311, 09 15 200 0313 and 09 15 200 0301</p>	
<p>Solder termination</p> 	<p>19</p>	<p>09 15 219 2603</p>	<p>09 15 219 2703</p>	<p>Contact arrangement view: mating side</p> 	<p>Stock items in bold type</p>

Identification	Part No.	Pg	Drawing	Dimensions in mm
<p>Hood top-entry</p> 	<p>09 15 200 0402 09 15 200 0403</p>	<p>9 11</p>		
<p>Hood top-entry EMC version</p> 	<p>09 15 200 0451</p>	<p>—</p>		
<p>Hood right angle entry</p> 	<p>09 15 200 0603</p>	<p>11</p>		
Identification	Part No.	Drawing	Dimensions in mm	
<p>Screw cover for hoods with tether</p> 	<p>09 15 200 5421</p> <p>Stock items in bold type</p>			
<p>Order inserts separately, see page 4 - 5</p>			<p>Bulkhead mounted housings see page 7 - 9</p>	

Identification	Part No.	Drawing	Dimensions in mm
<p>Housing, bulkhead mounting front wall assembly with central locking Pg 13.5</p> 	<p>09 15 200 0324</p>	 <p>Panel cut out Pg 13.5</p>	
<p>Housing, bulkhead mounting front wall assembly with central locking M 20</p> 	<p>09 15 200 0303</p>	 <p>Panel cut out Ø 20^{+0.1}</p>	
<p>Housing, bulkhead mounting front wall assembly with flat sealing</p> 	<p>09 15 200 0301</p>	 <p>Panel cut out Ø 20^{+0.1}</p>	
<p>Housing, bulkhead mounting front wall assembly with O-ring-sealing</p> 	<p>09 15 200 0305</p>	 <p>Panel cut out Ø 20^{+0.1}</p>	
<p>Housing, right angled bulkhead mounting front wall assembly with O-ring-sealing</p> 	<p>09 15 200 0901</p> <p>Stock items in bold type</p>	 <p>Panel cut out Ø 20^{+0.1}</p>	


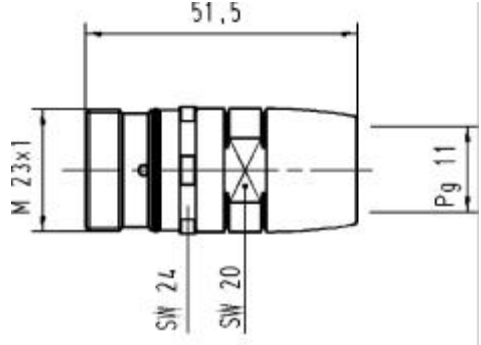

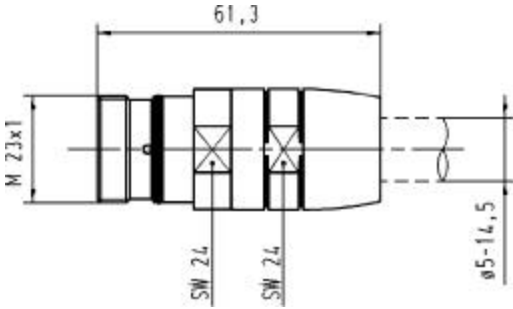



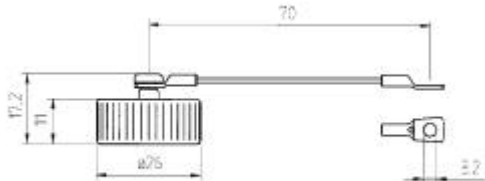
Order inserts separately, see page 4 - 5







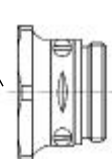
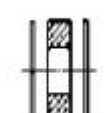
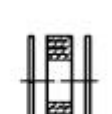

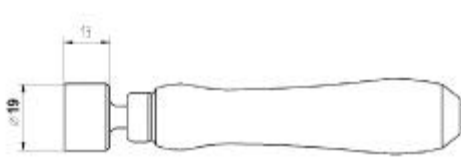

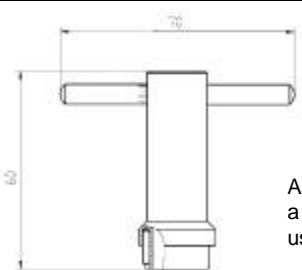

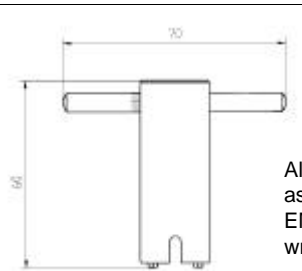
Bulkhead mounted housings see page 6

Identification	Part No.	Drawing	Dimensions in mm
<p>Housing, bulkhead mounting back wall assembly with O-ring-sealing</p> 	<p>09 15 200 0313</p>		<p>Panel cut out $\text{Ø } 23^{+0.1}$ Panel thickness: 2.7 - 3.5 when using counter-sunk screws</p>
<p>Housing, bulkhead mounting back wall assembly with O-ring-sealing</p> 	<p>09 15 200 0311</p>		<p>Panel cut out $\text{Ø } 23^{+0.1}$ Panel thickness: 2.7 - 3.5 when using counter-sunk screws</p>
<p>Housing, bulkhead mounting back wall assembly with O-ring-sealing</p> 	<p>09 15 200 0312</p>		<p>Panel cut out $\text{Ø } 23^{+0.1}$ Panel thickness: 3.5 - 8.5 when using counter-sunk screws</p>
<p>Housing, bulkhead mounting back wall assembly with central locking M 25</p> 	<p>09 15 200 0314</p>		<p>Panel cut out $\text{Ø } 25^{+0.1}$ Panel thickness: max. 6</p>
<p>Cable gland housing back wall assembly central locking M 25 EMC version</p> 	<p>09 15 200 0351</p> <p>Stock items in bold type</p>		<p>Panel cut out $\text{Ø } 25^{+0.1}$ Panel thickness: max. 6</p>

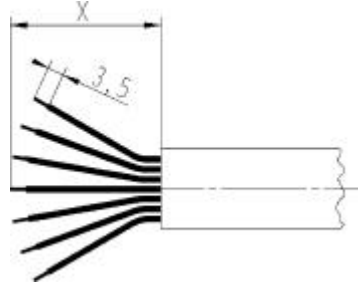
Order inserts separately, see page 4 - 5

Bulkhead mounted housings see page 6

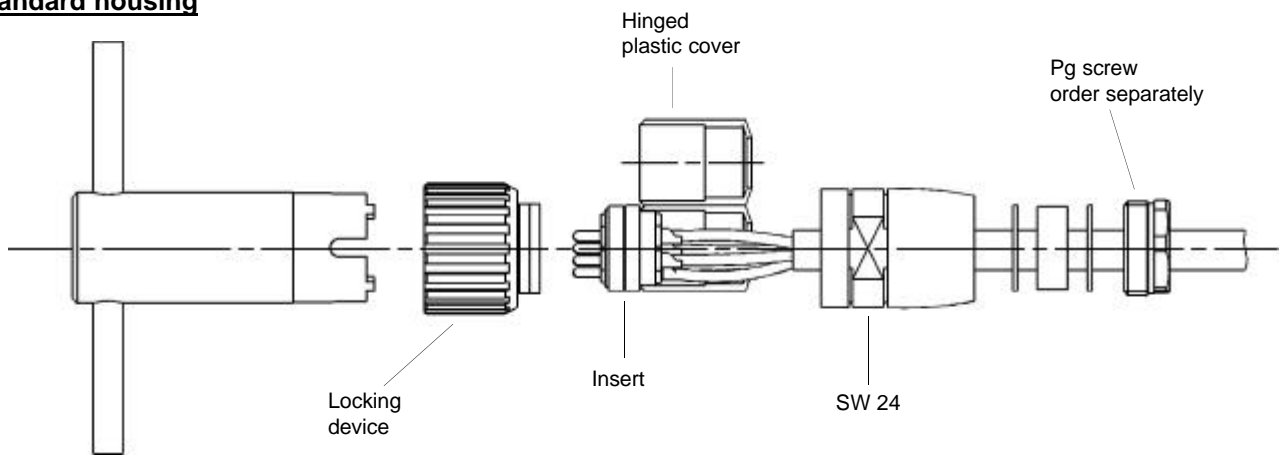
Identification	Part No.	Pg	Drawing	Dimensions in mm
<p>Cable to cable housing top entry</p> 	<p>09 15 200 0703</p>	<p>11</p>		
<p>Cable to cable housing top entry EMC version</p> 	<p>09 15 200 0751</p>	<p>—</p>		
Identification	Part No.	Drawing	Dimensions in mm	
<p>Screw cover for bulkhead mounted and cable to cable housings</p> 	<p>09 15 200 5401</p>			
<p>Screw cover for bulkhead mounted and cable to cable housings with tether</p> 	<p>09 15 200 5411</p> <p>Stock items in bold type</p>			
<p>Order inserts separately, see page 4 - 5</p>			<p>Bulkhead mounted housings see page 6</p>	

Cable entry protection				
	Part No.	Pg	Drawing	Dimensions in mm
Cable sealing metal (IP 65) with normal seal 	09 00 000 5113	11	Suitable cable Ø 10 - 12	
	with multiple seal 	09 00 000 5013	11	
Special cable clamp metal (IP 65) with strain relief and bell mouth  normal seal order separately  multiple seal order separately 	09 00 000 5191	11	Suitable cable Ø 8 - 12	
	09 00 000 5020	11	10 - 12	
	09 00 000 5027	11	6.5 - 12	
Assembly tools				
	Part No.		Drawing	Dimensions in mm
for angled housings, bulkhead mounting 	09 99 000 0324			
for bulkhead mounted and cable to cable housings 	09 99 000 0325		 As an alternative a wrench can be used.	
for hoods 	09 99 000 0326		 Alternatively for the assembly of the EMC version a wrench can be used.	

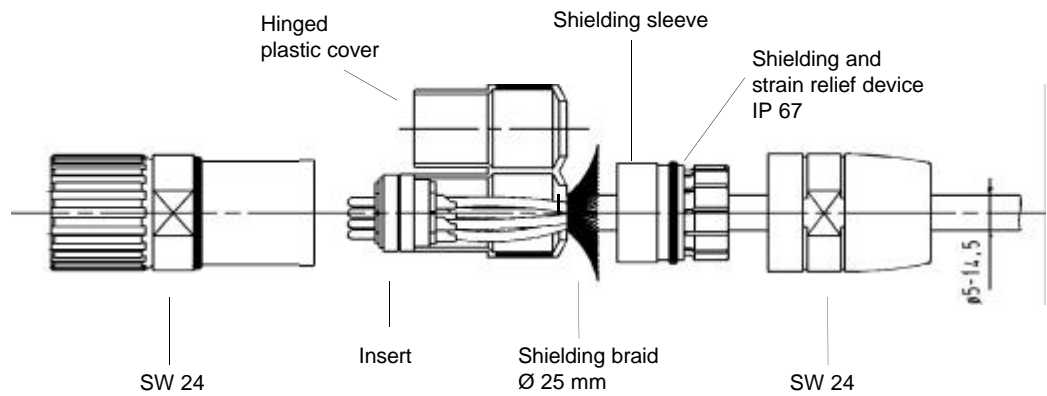
Housing	Cable Strip Length x
09 15 200 0351	26 mm
09 15 200 0403	20 mm
09 15 200 0451	26 mm
09 15 200 0603	30 mm
09 15 200 0703	20 mm
09 15 200 0751	26 mm
09 15 200 0901	30 mm



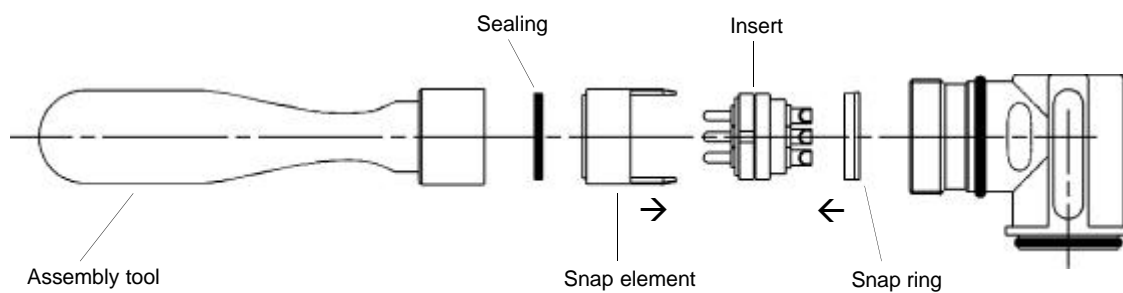
Standard housing



EMC housing



Right angled housing, bulkhead mounting





HARTING Electric GmbH & Co. KG

Wilhelm-Harting-Straße 1 • D-32339 Espelkamp
P.O.Box 14 73 • D-32328 Espelkamp
Germany

Phone: (+49) 5772/47-97100 • Fax: (+49) 5772/47-495

E-Mail: HARTING.Electric@HARTING.com

Internet: <http://www.HARTING.com>

Subsidiaries

Austria, Belgium, Brazil,
Czech Republic, China
(Hong Kong, Shanghai,
Zhuhai), Eastern Europe,
Finland, France, Great
Britain, Italy, Japan, Korea,
Netherlands, Norway,
Russia, Singapore, Spain,
Sweden, Switzerland,
Taiwan, USA

Agencies

Australia, Denmark,
Finland, India, Portugal,
South Afrika, Turkey

Production Plants

Germany
Great Britain
Switzerland
USA