



Technical Data

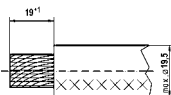
Inserts

| | |
|----------------------------|--|
| Number of contacts | i.e. 4, 5, 6, 10 depending on the frame |
| Rated current | 350 A, 650 A |
| Rated voltage | 4000 V |
| Testing voltage U_{rms} | 10 kV |
| Degree of pollution | 3 |
| Flammability acc. to UL 94 | V 0 |
| Insulation resistance | $\geq 10^{10} \Omega$ |
| Material | Polyamide |
| Contact resistance | $\leq 0.2 \text{ m}\Omega$ |
| Temperature | - 40° ... + 125°C |
| Mechanical Working Life | ≥ 500 mating cycles |

Contacts HC 350

| | |
|-------------------------|--|
| Material | Copper alloy |
| Surface | Silver |
| Contact resistance | $\leq 0.2 \text{ m}\Omega$ |
| Axial screw termination | |
| - Wire gauge | 35 - 70 mm ² or 95 - 120 mm ² |
| - AWG | 1 - 00 or 000 - 0000 |

Stripping length

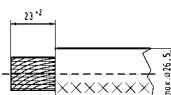


| | | | | | | |
|-------------------|-----------------|----|----|----|----|-----|
| Wire gauge | mm ² | 35 | 50 | 70 | 95 | 120 |
| Tightening torque | Nm | 8 | 10 | 12 | 14 | 16 |

Contacts HC 650

| | |
|-------------------------|--|
| Material | Copper alloy |
| Surface | Silver |
| Contact resistance | $\leq 0.2 \text{ m}\Omega$ |
| Axial screw termination | |
| - Wire gauge | 70 - 120 mm ² or 150 - 185 mm ² |
| - MCM | 138 - 236 or 300 - 350 |

Stripping length



| | | | | | | |
|-------------------|-----------------|----|----|-----|-----|-----|
| Wire gauge | mm ² | 70 | 95 | 120 | 150 | 185 |
| Tightening torque | Nm | 12 | 14 | 16 | 17 | 18 |

Features


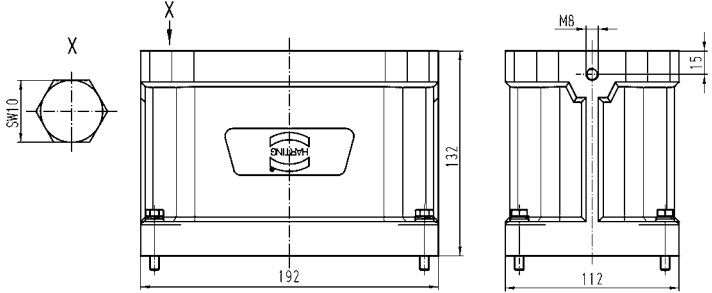

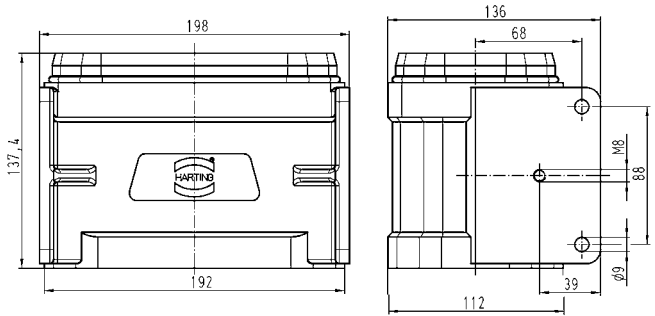

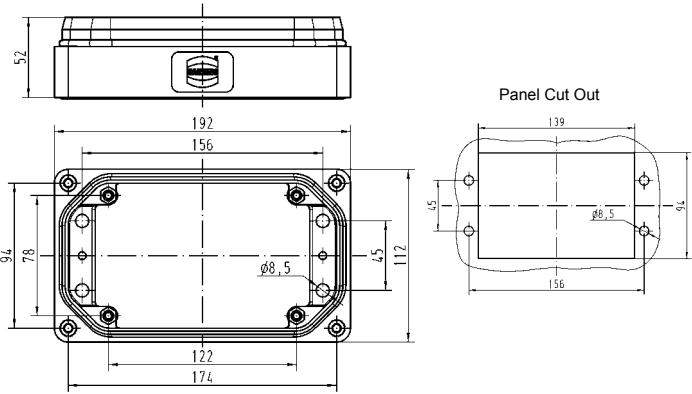

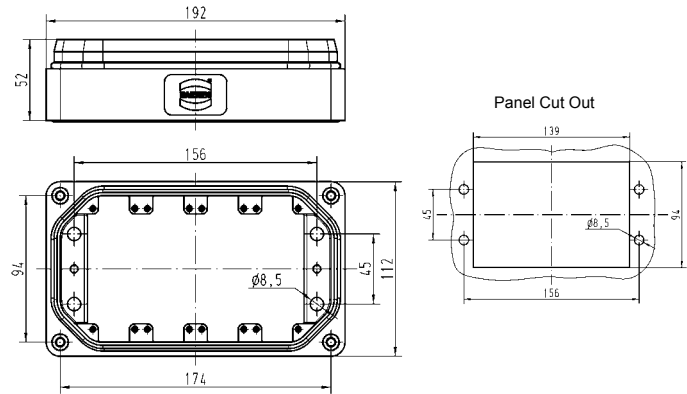
- Well proven Han® HPR design
- Corrosion resistant alloy
- Good EMC features
- Degree of protection IP 68
- Easy assembly
- Secure termination, easy to control
- Vibration resistant acc. to DIN EN 61 373
- Ideal motor/ drive connector for the transportation sector


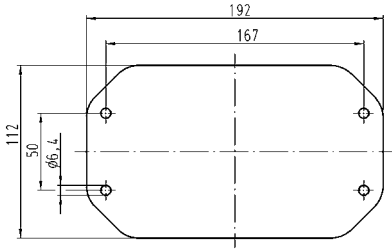
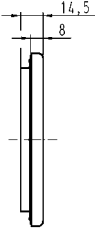

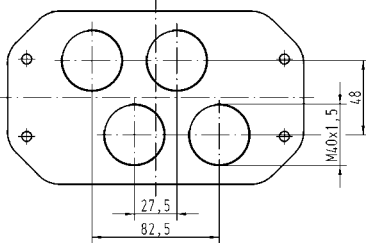


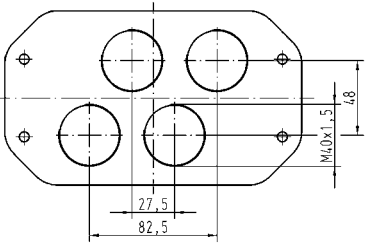


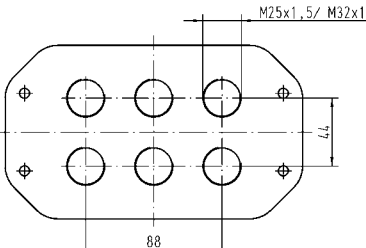


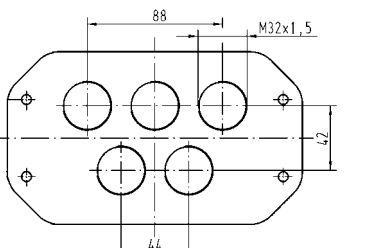


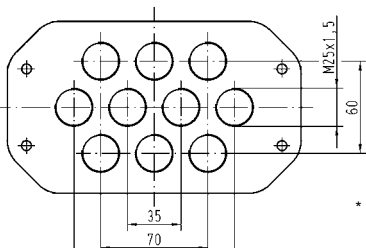

Frames

| | |
|---------------------------------------|-----------|
| Material | V2A steel |
| Tightning torque of the fixing screws | 2 Nm |

Han® HPR hoods and housings

| | |
|--|---|
| Material | Corrosion resistant Aluminium die cast |
| Surface | Powder Paint RAL 9005 |
| Locking elements | V2A steel |
| Tightning torque | 4 Nm |
| Seal | NBR |
| Temperature | -40°C ... +125°C |
| Degree of protection acc. to DIN 60 529 in locked position | IP 68 |

| Identification | Part-Number | Drawing | Dimensions in mm |
|---|-----------------------|--|------------------|
| <p>Hood</p>  | <p>09 40 048 0451</p> |  | |
| <p>Surface mounted housing</p>  | <p>09 40 048 0951</p> |  | |
| <p>Bulkhead mounted housing</p>  | <p>09 40 048 0311</p> |  | |
| <p>Bulkhead mounted housing for 4 standard inserts size 16 B</p>  | <p>09 40 048 0331</p> |  | |

| Identification | Part-Number | Drawing | Dimensions in mm |
|---|--|--|--|
| <p>Cover* without cable entry</p>  | <p>09 40 048 9801</p> |  |  |
| <p>Cover* 4 x M40 for male inserts</p>  | <p>19 40 048 9801</p> |  |  |
| <p>Cover* 4 x M40 for female inserts</p>  | <p>19 40 048 9901</p> |  |  |
| <p>Cover* 6 x M25 6 x M32</p>  | <p>19 40 048 9820 19 40 048 9822</p> |  |  |
| <p>Cover* 5 x M32</p>  | <p>19 40 048 9812</p> |  |  |
| <p>Cover* 10 x M25</p>  | <p>19 40 048 9860</p> |  |  <p>* Included in delivery range: 4 distance pieces 4 screws M6 4 washers</p> |

| Identification | Part-Number Male Female | Depiction |
|--|---|---|
| <p>Frame for 4 standard inserts size 16B</p> | <p>09 40 048 9912 09 40 048 9912</p> |  <p>Suitable only for hood and surface mounted housings only</p> |
| <p>Frame for 4 x HC 350 contacts + 2 x Han® Q 5/0</p> | <p>09 40 048 9810 09 40 048 9910</p> |  |
| <p>Frame for 4 x HC 650 + 2 x Han® Q 5/0</p> | <p>09 40 048 9811 09 40 048 9911</p> |  |
| <p>Frame for 6 x HC 350 contacts</p> | <p>09 40 048 9806 09 40 048 9906</p> |  |
| <p>Frame for 4 x HC 350 contacts + PE</p> | <p>09 40 048 9809 09 40 048 9909</p> |  |
| <p>Frame for 10 x HC 350 contacts</p> | <p>09 40 048 9860 09 40 048 9960</p> |  |